

PARTS LIST

[FS-SD58V]
[FS-SD78V/FS-SD98V]

* All printed circuit boards and its assemblies are not available as service parts.

Area Suffix

FS-SD58V

UB ----- Hong Kong

UF ----- China

US ----- Singapore

Area Suffix

FS-SD78V / FS-SD98V

UF ----- China

US ----- Singapore

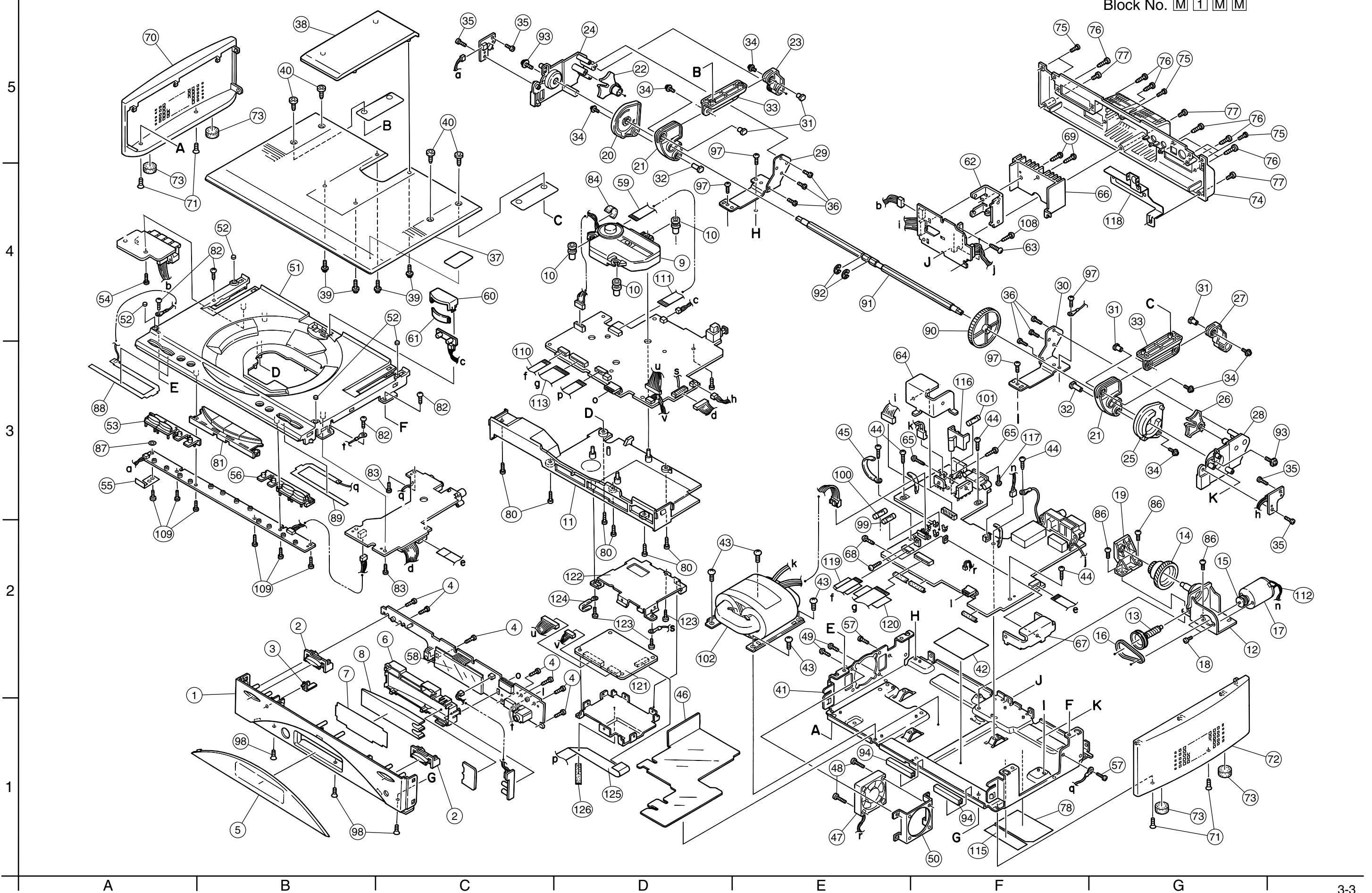
- Contents -

Exploded view of general assembly and parts list	3- 3
Electrical parts list	3- 6
Packing materials and accessories parts list	3-16

< MEMO >

Exploded view of general assembly and parts list

Block No. M 1 M M



■ Parts list (General assembly)

Block No. M1MM

△	Item	Parts number	Parts name	Q'ty	Description	Area
	1	LV10325-003A	FRONT PANEL	1	FS-SD98V	UF,US
		LV10325-001A	FRONT PANEL	1	FS-SD58V/78V	UB,UF,US
	2	LV31677-001A	PUSH BUTTON 1	2	ABS/PLATING	
	3	LV41520-001A	INDICATOR	1	STANDBY LED	
	4	QYSDSF2608Z	SCREW	7	FRONT+SW PWB+BT	
	5	LV31678-006A	LENS	1	FS-SD98V	UF,US
		LV31678-005A	LENS	1	FS-SD58V/78V	UB,UF,US
	6	LV31679-001A	LCD CASE	1	ABS	
	7	LV41519-001A	SHEET	1	LCD FILTER	
	8	LV31680-001A	REFLECTOR	1	PMMA/MILKY	
	9	KSM-770ABA	CD MECHA	1	CD MECHA	
	10	LV40770-002A	INSULATOR	3		
	11	LV10425-001A	VCD CHASSIS	1	MIPS	
	12	LV31687-001A	MOTOR BASE	1	ABS	
	13	LV41522-001A	WORM GEAR	1	POM	
	14	LV41523-001A	WORM WHEEL	1	POM	
	15	LV41536-001A	PULLEY	1	POM	
	16	LV41598-001A	BELT	1		
	17	QAR0100-001	DC MOTOR	1		
	18	QYSPSP3004Z	SCREW	2	DC MOTOR+M.BASE	
	19	LV31688-001A	WHEEL STOPPER	1	ABS	
	20	LV31691-001A	G.WHEEL(L)	1	POM	
	21	LV31690-002A	ARM	2	FS-SD98V	UF,US
		LV31690-001A	ARM	2	FS-SD58V/78V	UB,UF,US
	22	LV31693-001A	G.GEAR(L)	1	PBT	
	23	LV31695-002A	ARM GEAR(L)	1	FS-SD98V	UF,US
		LV31695-001A	ARM GEAR(L)	1	FS-SD58V/78V	UB,UF,US
	24	LV31697-002A	GEAR BASE(L)	1	PBT	
	25	LV31692-001A	G.WHEEL(R)	1	POM	
	26	LV31694-001A	G.GEAR(R)	1	PBT	
	27	LV31696-002A	ARM GEAR(R)	1	FS-SD98V	UF,US
		LV31696-001A	ARM GEAR(R)	1	FS-SD58V/78V	UB,UF,US
	28	LV31698-002A	GEAR BASE(R)	1	PBT	
	29	LV32127-001A	GEAR BKT(L)	1	EGC T1	
	30	LV32128-001A	GEAR BKT(R)	1	EGC T1	
	31	LV41929-001A	SHAFT 4	4	FS-SD58V/78V	UB,UF,US
		LV41929-002A	SHAFT 4	4	FS-SD98V	UF,US
	32	LV41929-001A	SHAFT 5	2	FS-SD58V/78V	UB,UF,US
		LV41930-002A	SHAFT 5	2	FS-SD98V	UF,US
	33	LV31701-001A	DOOR BASE	2	FS-SD58V/78V	UB,UF,US
		LV31701-002A	DOOR BASE	2	FS-SD98V	UF,US
	34	QYSPSFG2605N	SCREW	6	DOOR BASE+ARM	
	35	QYSDSF2606Z	SCREW	4	SW.PWB+G.BASE	
	36	QYSDSF2606Z	SCREW	6	G.BKT+G.BASE	
	37	LV10328-003A	CD DOOR	1	FS-SD58V/78V	UB,UF,US
		LV10328-004A	CD DOOR	1	FS-SD98V	UF,US
	38	LV31702-008A	DOOR COVER	1	FS-SD58V	
		LV31702-009A	DOOR COVER	1	FS-SD78V	

■ Parts list (General assembly)

Block No. M1MM

△	Item	Parts number	Parts name	Q'ty	Description	Area
	38	LV31702-010A	DOOR COVER	1	FS-SD98V	
	39	LV41758-001A	CUSTOM SCREW	4	D.C.BKT+D.COVER	
	40	LV41587-001A	SPECIAL SCREW	4	CD DOOR+D.BASE	
	41	LV10329-001A	BOTTOM CHASSIS	1	EGC T1.0	
	42	LV30064-068A	SPACER	1	BOTTOM	
	43	QYSBST4006Z	T.SCREW	4	BOTTOM.C+TRANS	
	44	QYSBST3006Z	T.SCREW	5	BOTTOM+MAIN PWB	
	45	VKZ4001-110	WIRE HOLDER	1		
	46	LV31901-002A	BARRIER	1	BETW.AC&BTM	
	47	QAR0148-001	FAN MOTOR	1		
	48	QYSPST3012Z	T.SCREW	2	FAN+F.BKT	
	49	QYSBST3006Z	T.SCREW	2	F.BKT+BOTTOM	
	50	LV41799-001A	FAN BRACKET	1		
	51	LV10327-006A	TOP PANEL	1	FS-SD98V	US,UF
		LV10327-005A	TOP PANEL	1	FS-SD58V/78V	UB,UF,US
	52	LV41821-002A	FELT	4	FS-SD98V	UF,US
		LV41821-001A	FELT	4	FS-SD58V/78V	UB,UF,US
	53	LV31681-002A	PUSH BUTTON 3	1	ABS/PLATING	
	54	QYSDSF2608Z	SCREW	1		
	55	LV41828-001A	PROTECTOR	1	FOR TOP	
	56	LV31682-002A	PUSH BUTTON 2	1	ABS/PLATINGR	
	57	QYSDSF2606Z	TAPPING SCREW	2		
	58	QLD0120-001	L.C.DISPL.PANEL	1		
	59	QUQ910-1607BJ	FFC WIRE	1		
	60	LV31686-001A	LED BOX	1	FS-SD58V/78V	
		LV31686-002A	LED BOX	1	FS-SD98V	
	61	LV41521-001A	LED COVER	1	ABS	
	62	LV31704-001A	IC HOLDER	1	AL T2	
	63	QYSBSF3010Z	SCREW	2	IC+IC HOLDER	
	64	LV31849-001A	HEAT SINK2	1	AL T2	
	65	QYSBSF3010Z	SCREW	2	DIODE+H.SINK2	
	66	LV31705-002A	HEAT SINK	1	AL	
	67	LV31850-001A	HEAT SINK3	1	AL T2	
	68	QYSBSF3010Z	SCREW	2	TR+H.SINK3	
	69	QYSBSF3008Z	SCREW	2	IC HOLDER+H.SIN	
	70	LV10330-003A	SIDE PANEL(L)	1	FS-SD98V	UF,US
		LV10330-001A	SIDE PANEL(L)	1	FS-SD58V/78V	UB,UF,US
	71	QYSSST3006Z	SCREW	4	S.PANEL+BOTTOM	
	72	LV10331-001A	SIDE PANEL(R)	1	FS-SD58V/78V	UB,UF,US
		LV10331-003A	SIDE PANEL(R)	1	FS-SD98V	UF,US
	73	LV41832-001A	FOOT	4	SIDE PANEL	
	74	LV10332-208A	REAR PANEL	1	FS-SD58V/78V	UF
		LV10332-210A	REAR PANEL	1	FS-SD98V	UF
		LV10332-207A	REAR PANEL	1	FS-SD58V/78V	UB,US
		LV10332-209A	REAR PANEL	1	FS-SD98V	US
	75	QYSDSF2608N	SCREW	5	REAR+TOP	
	76	QYSDSG3008N	T.SCREW	7	REAR+JACK	
	77	QYSDSG3008N	T.SCREW	3	REAR+BOTTOM	

■ Parts list (General assembly)

Block No. M1MM

△	Item	Parts number	Parts name	Q'ty	Description	Area
△	78	LV32261-001A	NAME PLATE	1	FS-SD58V	UB,US
△		LV32263-001A	NAME PLATE	1	FS-SD98V	US
△		LV32262-002A	NAME PLATE	1	FS-SD78V	UF
△		LV32261-002A	NAME PLATE	1	FS-SD58V	UF
△		LV32262-001A	NAME PLATE	1	FS-SD78V	US
△		LV32263-002A	NAME PLATE	1	FS-SD98V	UF
	80	QYSDSF2608Z	SCREW	7	CD CHASSIS+TOP	
	81	LV31683-005A	FUNC BTN ASSY	1	FS-SD98V	UF,US
		LV31683-003A	FUNC BTN ASSY	1	FS-SD58V/78V	UB,UF,US
	82	QYSBST3006Z	T.SCREW	4	GEAR.B+BOTTOM	
	83	QYSDSF2606Z	SCREW	2	JACK PWB+TOP	
	84	LV30064-008A	SPACER	1		
	86	QYSBST3006Z	T.SCREW	3	MOTER.B+BOTTOM.	
	87	LV30226-015A	SPACER	1		
	88	LV41826-001A	SHIELD(A)	1		
	89	LV41827-001A	SHIELD(R)	1		
	90	LV41524-001A	MAIN GEAR	1	POM	
	91	LV31689-002A	SHAFT 1	1	COST DOWN	
	92	QYREE6000X	E RING	2		
	93	QYSPSPG3006Z	SCREW	2	SAFT 1+G.BASE	
	94	LV30064-075A	SPACER	2	BOTTOM	
	97	QYSBST3006Z	T.SCREW	4	BOTTOM.C+TOP	
	98	QYSSST3006Z	SCREW	3	BOTTOM+FRONT.P	
△	99	QMF51E2-5R0-J1	FUSE	1	F1902	UB,US
△		QMF51E2-6R3-J1	FUSE	1	F1902	UF
△	100	QMF51E2-3R15-J1	FUSE	1	F1903	
△	101	QMF51E2-1R0-J1	FUSE	1	F1901	UB,US
△		QMF51E2-R50-J1	FUSE	1	F1901	UF
△	102	QQT0286-006	POWER TRANS	1	T1901	UF
△		QQT0286-004	POWER TRANSF.	1	T1901	UB,US
	108	QYSBST3006Z	T.SCREW	1	BOTTOM.C+AMP PW	
	109	QYSDSF2606Z	SCREW	6	BOTTOM+G.BASE	
	110	QUQB12-0905BJ	FFC WIRE	1		
	111	QUQB12-0806AJ	FFC WIRE	1		
	112	WJM0133-001A	E-SI C WIRE C-F	1		
	113	QUQB12-2005BJ	FFC WIRE	1		
	115	LV41772-001A	CAUTION LABEL	1	REAR PANEL	
	116	LV31865-001A	HOLDER	1		UB,US
	117	QYSDSF3008Z	SCREW	1		UB,US
	118	LV32251-001A	EARTH PLATE	1	SPTT T0.2	
	119	LV30064-064A	SPACER	1		
	120	LV30064-080A	SPACER	1		
	121	LV32249-001A	VCD SHIELD(U)	1	SPTT T0.5	
	122	LV32250-001A	VCD SHIELD(L)	1	SPTT T0.5	
	123	QYSDSF2608Z	SCREW	3	VCD+SHASSIS	
	124	VKZ4001-110	WIRE HOLDER	1		
	125	WJT0041-001A	E-CARD WIRE	1		
	126	LV30064-065A	SPACER	1		

■ Electrical parts list (Main board)

Block No. 01

△	Item	Parts number	Parts name	Remarks	Area
	C 1	NCB31HK-223X	C CAPACITOR		
	C 2	NCB31HK-102X	C CAPACITOR		
	C 3	NCB31CK-473X	C CAPACITOR		
	C 4	NCB31HK-103X	C CAPACITOR		
	C 5	QEK41CM-106	E CAPACITOR	10MF 20% 16V	
	C 6	NCB31HK-102X	C CAPACITOR		
	C 9	NCB31HK-102X	C CAPACITOR		
	C 12	NDC31HJ-100X	C CAPACITOR		
	C 13	NCB31CK-473X	C CAPACITOR		
	C 14	NCB31HK-103X	C CAPACITOR		
	C 21	NCB31CK-473X	C CAPACITOR		
	C 30	QEK41CM-476	E.CAPACITOR	47MF 20% 16V	
	C 32	NCB31HK-102X	C CAPACITOR		
	C 33	QEK41AM-107Z	E.CAPACITOR	100MF 20% 10V	
	C 34	NDC31HJ-150X	C CAPACITOR		
	C 35	NCB31HK-102X	C CAPACITOR		
	C 36	QEK41CM-106	E CAPACITOR	10MF 20% 16V	
	C 37	NCB31CK-473X	C CAPACITOR		
	C 39	NCB31CK-473X	C CAPACITOR		
	C 40	NCB31HK-103X	C CAPACITOR		
	C 41	QEK41HM-104Z	E CAPACITOR	.10MF 20% 50V	
	C 42	QEK41HM-474	E CAPACITOR	.47MF 20% 50V	
	C 44	NDC31HJ-221X	C CAPACITOR		
	C 45	QEK41HM-335Z	E CAPACITOR	3.3MF 20% 50V	
	C 46	NCB31HK-223X	C CAPACITOR		
	C 47	NCB31HK-103X	C CAPACITOR		
	C 49	NCB31EK-183X	C CAPACITOR		
	C 50	NCB31EK-183X	C CAPACITOR		
	C 51	QEK41HM-475Z	E.CAPACITOR	4.7MF 20% 50V	
	C 52	QEK41HM-475Z	E.CAPACITOR	4.7MF 20% 50V	
	C 60	QEK41AM-107Z	E.CAPACITOR	100MF 20% 10V	
	C 61	NDC31HJ-120X	C CAPACITOR		
	C 62	NDC31HJ-120X	C CAPACITOR		
	C 63	NCB31CK-473X	C CAPACITOR		
	C 65	NCB31HK-102X	C CAPACITOR		
	C 66	NDC31HJ-151X	C CAPACITOR		
	C 67	NDC31HJ-101X	C.CAPACITOR		
	C 68	NDC31HJ-101X	C.CAPACITOR		
	C 69	QEK41HM-225Z	E CAPACITOR	2.2MF 20% 50V	
	C 70	NCB31HK-392X	C CAPACITOR		
	C 71	QEK41HM-335Z	E CAPACITOR	3.3MF 20% 50V	
	C 72	NCB31HK-102X	C CAPACITOR		
	C 91	NCB31HK-103X	C CAPACITOR		
	CF 1	QAX0419-001Z	C FILTER	FM IF	
	CF 2	QAX0419-001Z	C FILTER	FM IF	
	CF 3	QAX0418-001Z	C FILTER		
	CF 4	QAX0409-001	CERA LOCK		
	CN101	QGF1201F3-08	CONNECTOR	TO.FUNC.	
	CN102	QGA2501C1-06	6P CONNECTOR	TO.PO.	
	CN103	QGB1216J1-08S	CONNECTOR	TO.FRONT	
	CN104	QGF1201F3-09	CONNECTOR	TO.MICOM	
	CN105	QGF1201F3-20	FFC/FPC CONNE	TO.MICOM	
	CN106	QGA2501C1-02	2P CONNECTOR	TO.MOTOR	
	CN181	QGA2001C1-02	PLUG ASSY		
△	CN191	QGA7901C1-02	CONNECTOR	PRI.	UF
△	CN191	QGA7901C1-04	CONNECTOR		UB,US
	CN192	QGA3901C1-04	4P CONNECTOR	SEC.	
△	CN193	QGA2501C1-07	7P CONNECTOR	TO.PO.	
	CN301	QGA2501F1-04	CONNECTOR	FROM SP.JACK	
	CN801	QGB1216K1-08S	CONNECTOR	TO AMP/TUNER	
	CN802	QGB1216K1-14S	CONNECTOR	TO MICON/CD	
	CN803	QGA2001C1-02	PLUG ASSY	TO BACK LIGHT	
△	CP191	ICP-N15-T	ICP I/M	VCD5V	

△	Item	Parts number	Parts name	Remarks	Area
	C1102	QFVJ1HJ-224Z	MF CAPACITOR	FS-SD98V/78V	
	C1102	QFVJ1HJ-154Z	MF CAPACITOR	FS-SD58V	
	C1103	QFN31HJ-823Z	MYLAR CAPACITOR	FS-SD58V/78V	
	C1103	QFVJ1HJ-563Z	MF CAPACITOR	FS-SD98V	
	C1104	QFVJ1HJ-563Z	MF CAPACITOR	FS-SD98V	
	C1104	QFN31HJ-823Z	MYLAR CAPACITOR	FS-SD58V/78V	
	C1105	QTE1C06-476Z	E CAPACITOR	AHB	
	C1106	QTE1C06-226Z	E CAPACITOR	AHB	
	C1107	QETN1HM-475Z	E CAPACITOR	HP	
	C1108	NDC31HJ-151X	C CAPACITOR	HP	
	C1109	NCB31HK-562X	C CAPACITOR	HP	
	C1110	NCB31HK-102X	C CAPACITOR		
	C1111	NCB31HK-182X	C CAPACITOR	AHB/*	
	C1202	QFVJ1HJ-224Z	MF CAPACITOR	FS-SD98V/78V	
	C1202	QFVJ1HJ-154Z	MF CAPACITOR	FS-SD58V	
	C1203	QFN31HJ-823Z	MYLAR CAPACITOR	FS-SD58V/78V	
	C1203	QFVJ1HJ-563Z	MF CAPACITOR	FS-SD98V	
	C1204	QFVJ1HJ-563Z	MF CAPACITOR	FS-SD98V	
	C1204	QFN31HJ-823Z	MYLAR CAPACITOR	FS-SD58V/78V	
	C1205	QTE1C06-476Z	E CAPACITOR	AHB	
	C1206	QTE1C06-226Z	E CAPACITOR	AHB	
	C1207	QETN1HM-475Z	E CAPACITOR	HP	
	C1208	NDC31HJ-151X	C CAPACITOR	HP	
	C1209	NCB31HK-562X	C CAPACITOR	HP	
	C1210	NCB31HK-102X	C CAPACITOR		
	C1211	NCB31HK-182X	C CAPACITOR	AHB/*	
	C1301	QETN1CM-106Z	E CAPACITOR	AHB	
	C1302	QEK41CM-476	E.CAPACITOR	AHB	
	C1303	QTE1C06-226Z	E CAPACITOR	AHB	
	C1304	QEK41HM-105Z	E.CAPACITOR	AHB	
	C1305	QETN1EM-107Z	E CAPACITOR	HP	
	C1306	QETN1CM-476Z	E CAPACITOR	HP	
	C1307	QETN1CM-106Z	E CAPACITOR	HP.MUTE.D	
	C1308	QETN1CM-106Z	E CAPACITOR	S.MUTE.D	
	C1801	QETN1EM-106Z	E CAPACITOR	M.DRIVE	
	C1802	QETN1EM-107Z	E CAPACITOR	M.DRIVE	
	C1803	NCB31HK-102X	C CAPACITOR	M.DRIVE	
△	C1901	QFVF1HJ-104Z	MF CAPACITOR	HV	
△	C1902	QFVF1HJ-104Z	MF CAPACITOR	HV	
△	C1903	QFVF1HJ-104Z	MF CAPACITOR	HV	
△	C1904	QFVF1HJ-104Z	MF CAPACITOR	HV	
△	C1905	QFVF1HJ-104Z	MF CAPACITOR	LV	
△	C1906	QFVF1HJ-104Z	MF CAPACITOR	LV	
△	C1907	QFVF1HJ-104Z	MF CAPACITOR	LV	
△	C1908	QFVF1HJ-104Z	MF CAPACITOR	LV	
△	C1910	QETM1EM-828	E CAPACITOR	HV	
△	C1911	QETM1EM-688	E CAPACITOR	LV	
	C1912	NDC31HJ-221X	C CAPACITOR	SW10	
	C1913	NCB31HK-103X	C CAPACITOR	SW10	
	C1914	QETN1EM-476Z	E CAPACITOR	SW10	
	C1915	QEK41CM-107Z	E.CAPACITOR	L.FIL	
	C1916	NDC31HJ-221X	C CAPACITOR	CD6.5	
	C1917	NCB31HK-103X	C CAPACITOR	CD6.5	
	C1918	QTE1C03-476Z	E CAPACITOR	CD6.5	
	C1919	QETN1CM-106Z	E CAPACITOR	BL7	
	C1920	QETN1EM-226Z	E CAPACITOR	BL7	
	C1921	QFVJ1HJ-104Z	MF CAPACITOR	US5	
	C1922	QETN1EM-106Z	E CAPACITOR	US5	
	C1923	QEK41HM-475Z	E.CAPACITOR	TU5	
	C1924	QEK41CM-107Z	E.CAPACITOR	TU5	
	C1925	QFZ0160-223Z	PP CAPA IM	FS-SD98V	
	C1925	QFN31HJ-103Z	M.M.CAPACITOR	FS-SD58V/78V	
△	C1926	QCB1HK-103Y	C CAPACITOR	LV	

■ Electrical parts list (Main board)

Block No. 01

△	Item	Parts number	Parts name	Remarks	Area	△	Item	Parts number	Parts name	Remarks	Area
△	C1927	QCBB1HK-103Y	C CAPACITOR	HV		△	D1913	MTZJ6.8B-T2	NER DIODE	USSV	
	C1928	QCBB1HK-103Y	C CAPACITOR	RY			D1914	MTZJ3.9B-T2	Z DIODE IM	TU5	
	C1929	NCB31HK-103X	C CAPACITOR	RY			D1915	1SS133-T2	SI DIODE	TU5	
	C1930	NDC31HJ-151X	C CAPACITOR	VCD5V			D1916	1SS133-T2	SI DIODE	TU5	
	C1931	QETN1EM-107Z	E CAPACITOR	VCD5V			D1917	1SS133-T2	SI DIODE	RY	
	C1932	QEK41CM-106	E CAPACITOR	FAN CONTROL			D1918	1SS133-T2	SI DIODE	VCD5V	
	C3101	QTE1V06-106Z	E CAPACITOR	IN			D1919	MTZJ5.6C-T2	ZENER DIODE	VCD5V	
	C3102	QDGB1HK-681Y	C CAPACITOR	FS-SD78V/98V		△	D1921	MTZJ6.8A-T2	ZENER DIODE	VCD5V	
	C3102	QDGB1HK-821Y	C CAPACITOR	FS-SD58V			D1922	MTZJ8.2B-T2	DIODE	VCD5V*	
	C3103	QCBB1HK-104Y	TF CAPACITOR	OUT			D1923	RB160L-40-X	SB DIODE	VCD5V	
	C3104	QCBB1HK-104Y	TF CAPACITOR	OUT			D3302	1SS133-T2	SI DIODE	AHB NF	
	C3105	QFN31HJ-332Z	M CAPACITOR	E.ONLY			D3303	1SS133-T2	SI DIODE	AHB NF	
	C3201	QTE1V06-106Z	E CAPACITOR	IN			D8001	SPR-39MVWF	LED	POWER/STANDBY	
	C3202	QDGB1HK-681Y	C CAPACITOR	FS-SD78V/98V			D8002	1SS133-T2	SI DIODE		
	C3202	QDGB1HK-821Y	C CAPACITOR	FS-SD58V			D8003	1SS133-T2	SI DIODE		
	C3203	QCBB1HK-104Y	TF CAPACITOR	OUT			D8004	1SS133-T2	SI DIODE		
	C3204	QCBB1HK-104Y	TF CAPACITOR	OUT			D8021	TLYH156P/ST/	LED	FS-SD98V	
	C3205	QFN31HJ-332Z	M CAPACITOR	E.ONLY			D8021	SELU1E50CM	LED	FS-SD58V/78V	
	C3301	QETN1CM-106Z	E CAPACITOR	BEEP			D8022	SELU1E50CM	LED	FS-SD58V/78V	
	C3302	NCS21HJ-152X	C CAPACITOR				D8022	TLYH156P/ST/	LED	FS-SD98V	
	C3303	QCBB1HK-104Y	TF CAPACITOR	FS-SD98V			D8025	MTZJ10C-T2	ZENER DIODE	FS-SD58V/78V	
	C3303	QCBB1HK-103Y	CER.CAPACITOR-S	FS-SD58V/78V			D8031	TLYH156P/ST/	LED	FS-SD98V	
△	C3304	QETN1HM-105Z	E CAPACITOR	1.0MF 20% 50V			D8031	SELU1E56BM	LED	FS-SD58V/78V	
	C3306	QTE1E06-476Z	E CAPACITOR	FS-SD98V			D8032	SELU1E56BM	LED	FS-SD58V/78V	
	C3306	QCBB1HK-103Y	CER.CAPACITOR-S	FS-SD58V/78V			D8032	TLYH156P/ST/	LED	FS-SD98V	
	C3308	QETN1CM-336Z	E CAPACITOR	ON.TIME			D8035	MA3100/M/-X	ZENER DIODE	FS-SD58V/78V	
	C3309	QETN1HM-105Z	E CAPACITOR	AHB NF			EP131	QNZ0136-001Z	EARTH PLATE		
	C3310	QETN1HM-105Z	E CAPACITOR	AHB NF			IC 1	TA2057N	IC		
	C3311	QCBB1HK-473Y	C CAPACITOR	AHB NF			IC 2	LC72136N	IC		
	C3312	QCBB1HK-473Y	C CAPACITOR	AHB NF			IC101	NJM4580D-D	IC	AHB	
△	C3313	QETN1EM-227Z	E CAPACITOR	FOR VH			IC102	BA15218F-XE	IC	HP	
	C8001	NCB31HK-103X	C CAPACITOR				IC108	TA8409F-W	IC	M.DRIVE	
	C8002	QER41AM-107	E CAPACITOR	100MF 20% 10V		△	IC191	UPC78L05J-T	I C	US5	
	C8003	NCB31HK-223X	C CAPACITOR			△	IC301	LA4905	IC		
	C8004	NDC31HJ-101X	C.CAPACITOR				IC801	GP1U271X	RM RECIVER		
	C8005	NCB31HK-103X	C CAPACITOR				J 1	QNB0014-001	ANT TERMINAL	AM/FM ANT COAX	
	C8101	QETN1AM-107Z	E CAPACITOR	100MF 20% 10V		△	J1901	QNC0030-001	AC INLET		
	C8102	NCB31HK-103X	C CAPACITOR				J3001	QNB0092-001	SPK TERMINAL		
	C8201	QETN1AM-107Z	E CAPACITOR	100MF 20% 10V			J8301	QNS0162-001	JACK	HP.JACK	
	C8202	NCB31HK-103X	C CAPACITOR				K1801	QQR0779-001Z	INDUCTOR		
	D 1	1SS133-T2	SI DIODE				K8301	QQR0601-001Z	FERRITE BEADS		
	D 2	1SS133-T2	SI DIODE				L 1	QQR0796-001	COIL BLOCK	MW RF/OSC	
	D 3	1SS133-T2	SI DIODE				L 4	QLL231K-221Y	INDUCTOR		
	D 4	1SS133-T2	SI DIODE			△	LF191	QQR1145-001	LINE FILTER	EXCEPT J	
	DI801	QLD0120-001	LCD				LF311	QQR0797-002	INDUCTOR	E.ONLY	
	D1301	1SS133-T2	SI DIODE	AHB			LF321	QQR0797-002	INDUCTOR	E.ONLY	
	D1302	MTZJ5.1A-T2	ZENER DIODE	AHB			L1801	QLL25CK-221Z	INDUCTOR	M.DRIVER	
	D1303	1SS133-T2	SI DIODE	AHB			L1901	QLL28AK-101	CHOKE COIL	VCD5V	
	D1304	1SS133-T2	SI DIODE	HP.MUTE			L8101	QLL231K-470Y	INDUCTOR		
	D1305	1SS133-T2	SI DIODE	S.MUTE			L8201	QLL231K-470Y	INDUCTOR		
	D1801	DSK10C-T1	DIODE	M.DRIV			PP101	QZW0038-001	WIRE CLAMP		
△	D1901	D5SBA20-S1	SI DIODE	HV			PP102	QZW0038-001	WIRE CLAMP		
△	D1902	D3SBA20-S1	DIODE	LV			Q 1	2SC2668/O/-T	TRANSISTOR		
	D1903	1SS133-T2	SI DIODE	SW10			Q 6	DTA114YKA-X	TRANSISTOR		
	D1904	MTZJ5.6C-T2	ZENER DIODE	SW10			Q 7	2SA1037AK/R/-X	TRANSISTOR		
	D1905	MTZJ10A-T2	ZENER DIODE	SW10			Q 8	2SA1037AK/R/-X	TRANSISTOR		
	D1906	MTZJ11A-T2	Z.DIODE I.M	L.FIL			Q1101	2SD2114K/VW/-X	CHIP TR.C.M	AHB	
	D1907	1SS133-T2	SI DIODE	L.FIL			Q1102	2SC2412K/R/-X	TRANSISTOR	HP.MUTE	
	D1908	1SS133-T2	SI DIODE	CD6.5			Q1201	2SD2114K/VW/-X	CHIP TR.C.M	AHB	
	D1909	MTZJ6.8B-T2	NER DIODE	CD6.5			Q1202	2SC2412K/R/-X	TRANSISTOR	HP.MUTE	
△	D1910	6A10E2	SI DIODE	LV			Q1301	DTA123EKA-X	DIGITAL.TR	S.MUTE.D	
	D1911	MTZJ6.8A-T2	ZENER DIODE	BL8			Q1302	DTA123EKA-X	DIGITAL.TR	HP.MUTE.D	
△	D1912	MTZJ10A-T2	ZENER DIODE	BL8			Q1801	DTC143EKA-X	DIGI TRANSISTOR	M.DRIV	

■ Electrical parts list (Main board)

Block No. 01

△	Item	Parts number	Parts name	Remarks	Area
△	Q1901	2SA1359/OY/	TRANSISTOR	SW10	
	Q1902	2SC2412K/R/-X	TRANSISTOR	SW10	
	Q1903	2SC2412K/R/-X	TRANSISTOR	SW10	
	Q1904	2SA1037AK/R/-X	TRANSISTOR	SW10	
	Q1905	DTA144TKA-X	TRANSISTOR	SW10	
	Q1906	DTC144TKA-X	TRANSISTOR	SW10	
	Q1907	2SD2144S/VW/-T	TRANSISTOR	L.FIL	
△	Q1908	2SA1359/OY/	TRANSISTOR	CD6.5	
	Q1909	2SC2412K/R/-X	TRANSISTOR	CD6.5	
△	Q1910	2SC2412K/R/-X	TRANSISTOR	CD6.5	
△	Q1912	2SA1175/FE-T	TRANSISTOR	BL7	
	Q1913	2SC2412K/R/-X	TRANSISTOR	BL7	
△	Q1914	2SA1037AK/R/-X	TRANSISTOR	TU5	
	Q1915	2SC2412K/R/-X	TRANSISTOR	TU5	
△	Q1916	2SA934/QR-T	TRANSISTOR	VCD5V	
△	Q1917	2SC2785/FE-T	TRANSISTOR	VCD5V	
	Q1918	2SC2412K/R/-X	TRANSISTOR	VCD5V	
	Q1920	2SA1037AK/R/-X	TRANSISTOR	FAN CONTROL	
	Q1921	DTC143EKA-X	DIGI TRANSISTOR	FAN CONTROL	
	Q1922	DTC143EKA-X	DIGI TRANSISTOR	FCD CONTROL	
	Q3101	2SD2114K/VW/-X	CHIP TR.C.M	S.MUTE	
	Q3201	2SD2114K/VW/-X	CHIP TR.C.M	S.MUTE	
	Q3301	DTA143TKA-X	TRANSISTOR	S.MUTE BUFF	
	Q8001	DTC114TKA-X	TRANSISTOR		
	Q8002	DTC114EKA-X	TR		
	Q8003	DTA114EKA-X	DIGITAL.TRANSIS		
	Q8101	2SD2114K/VW/-X	CHIP TR.C.M		
	Q8201	2SD2114K/VW/-X	CHIP TR.C.M		
	R 1	NRSA63J-102X	MG RESISTOR		
	R 2	NRSA63J-820X	MG RESISTOR		
	R 12	NRSA63J-102X	MG RESISTOR		
	R 13	NRSA63J-104X	MG RESISTOR		
	R 20	NRSA63J-331X	MG RESISTOR		
	R 21	NRSA63J-224X	MG RESISTOR		
	R 22	NRSA63J-331X	MG RESISTOR		
	R 23	NRSA63J-270X	MG RESISTOR		
	R 24	NRSA63J-271X	MG RESISTOR		
	R 25	NRSA63J-473X	MG RESISTOR		
	R 27	NRSA63J-223X	MG RESISTOR		
	R 29	NRSA63J-473X	MG RESISTOR		
	R 30	NRSA63J-103X	MG RESISTOR		
	R 31	NRSA63J-103X	MG RESISTOR		
	R 32	NRSA63J-473X	MG RESISTOR		
	R 34	NRSA63J-333X	MG RESISTOR		
	R 35	NRSA63J-333X	MG RESISTOR		
	R 36	NRSA63J-103X	MG RESISTOR		
	R 37	NRSA63J-472X	MG RESISTOR		
	R 38	NRSA63J-392X	MG RESISTOR		
	R 39	NRSA63J-392X	MG RESISTOR		
	R 42	NRSA63J-102X	MG RESISTOR		
	R 43	NRSA63J-102X	MG RESISTOR		
	R 44	NRSA63J-102X	MG RESISTOR		
	R 45	NRSA63J-102X	MG RESISTOR		
	R 46	NRSA63J-473X	MG RESISTOR		
	R 48	NRSA63J-102X	MG RESISTOR		
	R 52	NRSA63J-472X	MG RESISTOR		
	R 54	NRSA63J-472X	MG RESISTOR		
	R 55	NRSA63J-182X	MG RESISTOR		
	R 56	NRSA63J-332X	MG RESISTOR		
	R 57	NRSA63J-102X	MG RESISTOR		
	R 66	NRSA63J-222X	MG RESISTOR		
	R 68	NRSA63J-223X	MG RESISTOR		
	R 69	NRSA63J-222X	MG RESISTOR		

△	Item	Parts number	Parts name	Remarks	Area
△	RY191	QSK0116-001	RELAY	VH	
	R1103	NRSA63J-103X	MG RESISTOR	AHB	
	R1104	NRSA63J-332X	MG RESISTOR	LPF	
	R1105	NRSA63J-272X	MG RESISTOR	FS-SD98V/78V	
	R1105	NRSA63J-392X	MG RESISTOR	FS-SD58V	
	R1106	NRSA63J-152X	MG RESISTOR	FS-SD58V	
	R1106	NRSA63J-392X	MG RESISTOR	FS-SD98V/78V	
	R1107	NRSA63J-153X	MG RESISTOR	AHB	
	R1108	NRSA63J-302X	MG RESISTOR	FS-SD58V	
	R1108	NRSA63J-432X	MG RESISTOR	FS-SD98V/78V	
	R1109	NRSA63J-153X	MG RESISTOR	AHB	
	R1110	NRSA63J-184X	MG RESISTOR	FS-SD58V	
	R1110	NRSA63J-224X	MG RESISTOR	FS-SD98V/78V	
	R1111	NRSA63J-103X	MG RESISTOR	AHB	
	R1112	NRSA63J-332X	MG RESISTOR	HP	
	R1113	NRSA63J-563X	MG RESISTOR	HP	
	R1114	NRSA63J-102X	MG RESISTOR	HP	
	R1115	NRSA63J-471X	MG RESISTOR	HP	
	R1116	NRSA63J-222X	MG RESISTOR	HP.MUTE	
	R1203	NRSA63J-103X	MG RESISTOR	AHB	
	R1204	NRSA63J-332X	MG RESISTOR	LPF	
	R1205	NRSA63J-272X	MG RESISTOR	FS-SD98V/78V	
	R1205	NRSA63J-392X	MG RESISTOR	FS-SD58V	
	R1206	NRSA63J-152X	MG RESISTOR	FS-SD58V	
	R1206	NRSA63J-392X	MG RESISTOR	FS-SD98V/78V	
	R1207	NRSA63J-153X	MG RESISTOR	AHB	
	R1208	NRSA63J-302X	MG RESISTOR	FS-SD58V	
	R1208	NRSA63J-432X	MG RESISTOR	FS-SD98V/78V	
	R1209	NRSA63J-153X	MG RESISTOR	AHB	
	R1210	NRSA63J-184X	MG RESISTOR	FS-SD58V	
	R1210	NRSA63J-224X	MG RESISTOR	FS-SD98V/78V	
	R1211	NRSA63J-103X	MG RESISTOR	AHB	
	R1212	NRSA63J-332X	MG RESISTOR	HP	
	R1213	NRSA63J-563X	MG RESISTOR	HP	
	R1214	NRSA63J-102X	MG RESISTOR	HP	
	R1215	NRSA63J-471X	MG RESISTOR	HP	
	R1216	NRSA63J-222X	MG RESISTOR	HP.MUTE	
	R1301	NRSA63J-513X	MG RESISTOR	AHB	
△	R1302	NRSA02J-471X	MG RESISTOR	AHB	
	R1303	NRSA63J-102X	MG RESISTOR	AHB	
	R1304	NRSA63J-154X	MG RESISTOR	FS-SD58V	
	R1304	NRSA63J-224X	MG RESISTOR	FS-SD98V/78V	
	R1305	NRSA63J-124X	MG RESISTOR	AHB	
	R1306	NRSA63J-513X	M.G.RESISTOR	FS-SD58V	
	R1306	NRSA63J-563X	MG RESISTOR	FS-SD98V/78V	
	R1307	NRSA63J-912X	MG RESISTOR	HP	
	R1308	NRSA63J-103X	MG RESISTOR	HP	
	R1309	NRSA02J-100X	MG RESISTOR	HP	
	R1310	NRSA63J-102X	MG RESISTOR	HP.MUTE.D	
	R1311	NRSA63J-102X	MG RESISTOR	S.MUTE.D	
△	R1312	NRSA02J-471X	MG RESISTOR		
△	R1313	NRSA02J-471X	MG RESISTOR		
	R1801	NRSA63J-471X	MG RESISTOR	M.DRIVER	
	R1802	NRSA63J-153X	MG RESISTOR	M.DRIVER	
	R1803	NRSA63J-473X	MG RESISTOR	M.DRIVER	
	R1804	NRSA63J-100X	MG RESISTOR	M.DRIVER	
	R1805	NRSA63J-100X	MG RESISTOR	M.DRIVER	
	R1806	NRSA63J-183X	MG RESISTOR	M.DRIVER	
△	R1807	NRSA63J-471X	MG RESISTOR		
△	R1808	NRSA63J-471X	MG RESISTOR		
△	R1902	NRSA02J-1R0X	MG RESISTOR	SW10	
△	R1903	NRSA02J-1R0X	MG RESISTOR	SW10	
△	R1904	NRSA02J-1R0X	MG RESISTOR	SW10	

■ Electrical parts list (Main board)

Block No. 01

△	Item	Parts number	Parts name	Remarks	Area
	R1905	NRSA63J-151X	MG RESISTOR	SW10	
	R1906	NRSA63J-102X	MG RESISTOR	SW10	
△	R1907	NRSA02J-122X	MG RESISTOR	SW10	
	R1908	NRSA02J-122X	MG RESISTOR	SW10	
	R1909	NRSA02J-122X	MG RESISTOR	SW10	
	R1910	NRSA63J-472X	MG RESISTOR	SW10	
	R1911	NRSA63J-471X	MG RESISTOR	SW10	
	R1912	NRSA63J-561X	MG RESISTOR	SW10	
	R1913	NRSA63J-272X	MG RESISTOR	SW10	
	R1914	NRSA63J-471X	MG RESISTOR	SW10	
	R1915	NRSA63J-822X	MG RESISTOR	SW10	
	R1916	NRSA63J-102X	MG RESISTOR	SW10	
	R1917	NRSA63J-122X	MG RESISTOR	SW10	
	R1918	NRSA63J-153X	MG RESISTOR	SW10	
	R1919	NRSA63J-512X	MG RESISTOR	SW10	
	R1920	NRSA63J-102X	MG RESISTOR	R.FIL	
△	R1921	QRZ9006-4R7X	F RESISTOR	BL7	
△	R1922	QRZ9006-4R7X	F RESISTOR	US5V	
△	R1923	QRZ9006-4R7X	F RESISTOR	TO.MICOM+B	
	R1924	NRSA63J-222X	MG RESISTOR	CD6.5	
	R1925	NRSA02J-561X	MG RESISTOR	BL7	
	R1926	NRSA63J-123X	MG RESISTOR	BL7	
	R1927	NRSA63J-103X	MG RESISTOR	BL7	
	R1928	NRSA63J-122X	MG RESISTOR	TU5	
	R1929	NRSA63J-273X	MG RESISTOR	TU5	
	R1930	NRSA63J-102X	MG RESISTOR	TU5	
△	R1931	NRSA02J-390X	MG RESISTOR	TU5	
	R1932	NRSA02J-331X	MG RESISTOR	CD6.5	
	R1933	NRSA63J-681X	MG RESISTOR	CD6.5	
	R1934	NRSA63J-152X	MG RESISTOR	CD6.5	
	R1935	NRSA63J-272X	MG RESISTOR	CD6.5	
	R1936	NRSA63J-151X	MG RESISTOR	CD6.5	
	R1937	NRSA63J-562X	MG RESISTOR	CD REG	
△	R1938	NRSA02J-122X	MG RESISTOR	SW10	
	R1939	NRSA63J-223X	MG RESISTOR	VCD5V	
△	R1940	QRZ9015-101X	F.RES I/M	VCD5V	
	R1941	NRSA63J-123X	MG RESISTOR	VCD5V	
	R1944	NRSA63J-562X	MG RESISTOR	VCD5V*	
	R1945	NRSA63J-222X	MG RESISTOR		
	R1946	NRSA63J-222X	MG RESISTOR		
	R1947	NRSA63J-222X	MG RESISTOR		
	R3101	QRE141J-562Y	C RESISTOR	IN	
	R3102	QRE141J-103Y	C RESISTOR	FS-SD78V/98V	
	R3102	QRE141J-682Y	C RESISTOR	FS-SD58V	
	R3103	QRE141J-2R2Y	C RESISTOR	OUT	
	R3104	QRE141J-2R2Y	C RESISTOR	OUT	
	R3105	NRSA63J-223X	MG RESISTOR	AHB NF	
	R3106	NRSA63J-223X	MG RESISTOR	AHB NF	
	R3107	QRE141J-222Y	C RESISTOR	S.MUTE	
	R3201	QRE141J-562Y	C RESISTOR	IN	
	R3202	QRE141J-103Y	C RESISTOR	FS-SD78V/98V	
	R3202	QRE141J-682Y	C RESISTOR	FS-SD58V	
	R3203	QRE141J-2R2Y	C RESISTOR	OUT	
	R3204	QRE141J-2R2Y	C RESISTOR	OUT	
	R3205	NRSA63J-223X	MG RESISTOR	AHB NF	
	R3206	NRSA63J-223X	MG RESISTOR	AHB NF	
	R3207	QRE141J-222Y	C RESISTOR	S.MUTE	
	R3303	QRE141J-103Y	C RESISTOR	ST.BY	
	R3304	NRSA63J-682X	MG RESISTOR	AHB NF	
	R3305	NRSA63J-682X	MG RESISTOR	AHB NF	
	R8001	NRSA63J-102X	MG RESISTOR		
	R8002	NRSA63J-123X	MG RESISTOR		
	R8003	NRSA02J-331X	MG RESISTOR		

△	Item	Parts number	Parts name	Remarks	Area
	R8004	NRSA63J-331X	MG RESISTOR		
	R8005	NRSA02J-561X	MG RESISTOR		
	R8007	NRSA63J-432X	MG RESISTOR		
	R8021	NRSA02J-391X	MG RESISTOR	FS-SD98V	
	R8021	NRSA02J-101X	MG RESISTOR	FS-SD58V/78V	
	R8022	NRSA02J-101X	MG RESISTOR	FS-SD58V/78V	
	R8022	NRSA02J-391X	MG RESISTOR	FS-SD98V	
	R8031	NRSA02J-561X	MG RESISTOR	FS-SD98V	
	R8031	NRSA02J-431X	MG RESISTOR	FS-SD58V/78V	
	R8032	NRSA02J-431X	MG RESISTOR	FS-SD58V/78V	
	R8032	NRSA02J-561X	MG RESISTOR	FS-SD98V	
	R8051	NRSA63J-101X	MG RESISTOR		
	R8052	NRSA63J-272X	MG RESISTOR		
	R8053	NRSA63J-332X	MG RESISTOR		
	R8054	NRSA63J-562X	MG RESISTOR		
	R8055	NRSA63J-123X	MG RESISTOR		
	R8056	NRSA63J-393X	MG RESISTOR		
	R8057	NRSA63J-101X	MG RESISTOR		
	R8058	NRSA63J-272X	MG RESISTOR		
	R8059	NRSA63J-332X	MG RESISTOR		
	R8060	NRSA63J-562X	MG RESISTOR		
	R8061	NRSA63J-123X	MG RESISTOR		
	R8062	NRSA63J-393X	MG RESISTOR		
	R8101	NRSA63J-220X	MG RESISTOR		
	R8102	NRSA63J-222X	MG RESISTOR		
	R8103	NRSA63J-272X	MG RESISTOR		
	R8201	NRSA63J-220X	MG RESISTOR		
	R8202	NRSA63J-222X	MG RESISTOR		
	R8203	NRSA63J-272X	MG RESISTOR		
	R8301	NRSA63J-222X	MG RESISTOR		
	R8302	NRSA63J-222X	MG RESISTOR		
△	S1901	VMZ0126-003	SELECT SWITCH		
	S8001	QSW0683-001Z	PUSH SW I.M	OP/CL	
	S8002	QSW0683-001Z	PUSH SW I.M	POWER	
	S8003	QSW0683-001Z	PUSH SW I.M	VOL+	
	S8004	QSW0683-001Z	PUSH SW I.M	VOL-	
	S8005	QSW0683-001Z	PUSH SW I.M	TIMER	
	S8006	QSW0683-001Z	PUSH SW I.M	CLOCK	
	S8007	QSW0683-001Z	PUSH SW I.M	UP	
	S8008	QSW0683-001Z	PUSH SW I.M	CD	
	S8009	QSW0683-001Z	PUSH SW I.M	STOP	
	S8010	QSW0683-001Z	PUSH SW I.M	DOWN	
	S8011	QSW0683-001Z	PUSH SW I.M	AHB	
	S8012	QSW0683-001Z	PUSH SW I.M	PRESET TU	
	S8013	QSW0683-001Z	PUSH SW I.M	TUNER	
	S8014	QSW0683-001Z	PUSH SW I.M	AUX	
	T 1	QQR0793-001	IFT		
	TU 1	QAU0097-001	FRONT END	FM TU	
	X 1	QAX0402-001	CRYSTAL		
△	Z1901	QNG0003-001Z	FUSE CLIP	FOR F1901	
△	Z1902	QNG0003-001Z	FUSE CLIP	FOR F1901	
△	Z1903	QNG0003-001Z	FUSE CLIP	FOR F1902	
△	Z1904	QNG0003-001Z	FUSE CLIP	FOR F1902	
△	Z1905	QNG0003-001Z	FUSE CLIP	FOR F1903	
△	Z1906	QNG0003-001Z	FUSE CLIP	FOR F1903	

■ Electrical parts list (CD board)

Block No. 02

△	Item	Parts number	Parts name	Remarks	Area
	CN501	QGF1201F3-08	CONNECTOR	TO MAIN	
	CN502	QGA2001C1-04	4P PLUG ASSY	TO TOPKEY	
	CN603	QGF1008F1-16	16PIN CONNECTOR	TO PICK	
	CN605	QGA2001C1-06	6P PLUG ASSY	TO PICK	
	CN701	QGF1201F3-09	CONNECTOR	TO AMP/TUNER	
	CN702	QGF1201F3-20	FFC/FPC CONNE	TO AMP/TUNER	
	CN703	QGA2001F1-13	CONNECTOR	TO FUNCTION	
	CN704	QGB1216J1-14S	CONNECTOR	TO LCD	
	CN705	QGA2001F1-03	CONNECTOR	TO CD DOOR DT1	
	CN706	QGA2001F1-02	2P CONNECTOR	TO DISC LED	
	CN711	QGF1008F1-15	21-41 CONNECTOR	TO VCD-BOARD	
	CN804	QGA2001F1-02	2P CONNECTOR		
	C5101	QETN1HM-475Z	E CAPACITOR	LINE IN	
	C5102	QETN1HM-475Z	E CAPACITOR	TU IN	
	C5103	QTE1V06-106Z	E CAPACITOR	CD IN	
	C5104	QTE1V06-106Z	E CAPACITOR	FUC.OUT	
	C5105	QETN1CM-106Z	E CAPACITOR	LINE OUT	
	C5106	QFN31HJ-562Z	M CAPACITOR	MPX.F	
	C5107	QTE1C06-226Z	E CAPACITOR	VOL OUT	
	C5108	QFN31HJ-332Z	M CAPACITOR	TRE.	
	C5109	QFVJ1HJ-154Z	MF CAPACITOR	BASS	
	C5110	QFVJ1HJ-154Z	MF CAPACITOR	BASS	
	C5111	NDC31HJ-151X	C CAPACITOR	LINE IN	
	C5112	NCB31HK-102X	C CAPACITOR	LINE OUT	
	C5201	QETN1HM-475Z	E CAPACITOR	LINE IN	
	C5202	QETN1HM-475Z	E CAPACITOR	TU IN	
	C5203	QTE1V06-106Z	E CAPACITOR	CD IN	
	C5204	QTE1V06-106Z	E CAPACITOR	FUC.OUT	
	C5205	QETN1CM-106Z	E CAPACITOR	LINE OUT	
	C5206	QFN31HJ-562Z	M CAPACITOR	MPX.F	
	C5207	QTE1C06-226Z	E CAPACITOR	VOL OUT	
	C5208	QFN31HJ-332Z	M CAPACITOR	TRE.	
	C5209	QFVJ1HJ-154Z	MF CAPACITOR	BASS	
	C5210	QFVJ1HJ-154Z	MF CAPACITOR	BASS	
	C5211	NDC31HJ-151X	C CAPACITOR	LINE IN	
	C5212	NCB31HK-102X	C CAPACITOR	LINE OUT	
	C5301	QETN1CM-107Z	E CAPACITOR	VCC	
	C5302	QTE1V06-476Z	E CAPACITOR	1/2VCC	
	C5303	QETN1HM-105Z	E CAPACITOR	L/O MUTE.D	
	C5304	QETN1AM-477Z	E CAPACITOR	V.OUT	
	C5305	NDC31HJ-680X	C CAPACITOR	V.OUT	
	C5307	NCB31HK-103X	C CAPACITOR	AUX IN-G	
	C5308	NCB31HK-103X	C CAPACITOR	AUX OUT-G	
	C5309	NCB31HK-103X	C CAPACITOR	V.OUT-G	
	C5311	NDC31HJ-151X	C CAPACITOR	DATA-G	
	C5312	NDC31HJ-151X	C CAPACITOR	CLOCK-G	
	C6001	QEKC0JM-107Z	E CAPACITOR	100MF 20% 6.3V	
	C6002	QEK41CM-106	E CAPACITOR	10MF 20% 16V	
	C6003	NDC21HJ-3R5X	C CAPACITOR	x-f-.TDK	
	C6005	NDC31HJ-331X	C CAPACITOR		
	C6007	NCB31HK-222X	C CAPACITOR		
	C6008	QEK1HM-105Z	E.CAPACITOR	1.0MF 20% 50V	
	C6009	NDC31HJ-101X	C.CAPACITOR		
	C6010	NCB31CK-273X	C CAPACITOR		
	C6011	NCB31HK-222X	C CAPACITOR		
	C6012	NCB31HK-103X	C CAPACITOR		
	C6014	NCB31CK-104X	C CAPACITOR		
	C6015	NCB31HK-223X	C CAPACITOR		
	C6016	NCB31HK-223X	C CAPACITOR		
	C6017	NCB31HK-223X	C CAPACITOR		
	C6018	NCB31HK-222X	C CAPACITOR		
	C6019	NDC31HJ-271X	C CAPACITOR		
	C6020	NDC31HJ-181X	C CAPACITOR		

△	Item	Parts number	Parts name	Remarks	Area
	C6021	NDC31HJ-821X	C CAPACITOR		
	C6022	QEKC0JM-476Z	E.CAPACITOR	47MF 20% 6.3V	
	C6023	NCB31CK-104X	C CAPACITOR		
	C6028	NCB31CK-473X	C CAPACITOR		
	C6029	QEKC0JM-107Z	E CAPACITOR	100MF 20% 6.3V	
	C6031	QEKC1AM-227Z	E CAPACITOR	220MF 20% 10V	
	C6032	QEKC0JM-107Z	E CAPACITOR	100MF 20% 6.3V	
	C6033	QEK41CM-106	E CAPACITOR	10MF 20% 16V	
	C6051	NDC31HJ-120X	C CAPACITOR		
	C6052	NDC31HJ-150X	C CAPACITOR		
	C6053	NCB31HK-223X	C CAPACITOR		
	C6055	NCB31CK-473X	C CAPACITOR		
	C6058	NDC31HJ-6R0X	C CAPACITOR		
	C6061	NDC31HJ-471X	C CAPACITOR		
	C6062	NCB31HK-223X	C CAPACITOR		
	C6063	NCB31HK-223X	C CAPACITOR		
	C6064	NCB31HK-223X	C CAPACITOR		
	C6065	NCB21CK-334X	C CAPACITOR		
	C6071	NCB31HK-222X	C CAPACITOR		
	C6072	NCB31HK-222X	C CAPACITOR		
	C6073	QEKC1AM-227Z	E CAPACITOR	220MF 20% 10V	
	C6075	NCB31HK-102X	C CAPACITOR		
	C6076	NCB31HK-102X	C CAPACITOR		
	C6080	QEKC1AM-227Z	E CAPACITOR	220MF 20% 10V	
	C6081	QEKC1AM-227Z	E CAPACITOR	220MF 20% 10V	
	C6083	NCB31HK-223X	C CAPACITOR		
	C6089	NCB31HK-472X	C CAPACITOR		
	C6090	NCB31HK-153X	C CAPACITOR		
	C6091	QENC1HM-105Z	NP E.CAPA I.M	1.0MF 20% 50V	
	C6092	QENC1HM-225Z	NP E.CAPA I.M	2.2MF 20% 50V	
	C6094	NCB31CK-104X	C CAPACITOR		
	C6096	NDC31HJ-391X	C CAPACITOR		
	C6097	NDC31HJ-391X	C CAPACITOR		
	C6098	NDC31HJ-391X	C CAPACITOR		
	C6099	NDC31HJ-391X	C CAPACITOR		
	C6154	NDC31HJ-101X	C.CAPACITOR		
	C6156	NDC31HJ-151X	C CAPACITOR		
	C6157	NDC31HJ-151X	C CAPACITOR		
	C6158	NDC31HJ-151X	C CAPACITOR		
	C6159	NCB31CK-104X	C CAPACITOR		
	C6251	NCB31HK-223X	C CAPACITOR		
	C7001	NDC31HJ-180X	C.CAPACITOR		
	C7002	NDC31HJ-180X	C.CAPACITOR		
	C7003	NDC31HJ-390X	C CAPACITOR		
	C7004	NCS21HJ-360X	C CAPACITOR		
	C7005	NDC31HJ-220X	C CAPACITOR		
	C7006	NCS21HJ-200X	C CAPACITOR		
	C7007	NCB31HK-102X	C CAPACITOR		
	C7008	NCB31HK-102X	C CAPACITOR		
	C7009	NCB31HK-103X	C CAPACITOR		
	C7010	QEKC1AM-107Z	E.CAPACITOR	100MF 20% 10V	
	C7011	NCB31CK-104X	C CAPACITOR		
	C7012	QEZ0229-479Z	EDL.CAPACITOR	47000MF	
	C7013	QEKC1CM-107Z	E.CAPACITOR	100MF 20% 16V	
	C7014	QFN31HJ-104Z	M CAPACITOR	.10MF 5% 50V	
	C7018	NCB31HK-103X	C CAPACITOR		
	C7019	QEKC1HM-225Z	E CAPACITOR	2.2MF 20% 50V	
	C7020	QEKC1HM-475Z	E.CAPACITOR	4.7MF 20% 50V	
	C7022	NCB31HK-103X	C CAPACITOR		
	C7207	NDC31HJ-101X	C.CAPACITOR		
	C7208	NDC31HJ-220X	C CAPACITOR		
	C7213	NDC31HJ-101X	C.CAPACITOR		
	C7221	NDC31HJ-101X	C.CAPACITOR		

■ Electrical parts list (CD board)

Block No. 02

△	Item	Parts number	Parts name	Remarks	Area
	C7222	NDC31HJ-101X	C.CAPACITOR		
	C7223	NDC31HJ-101X	C.CAPACITOR		
	C7230	NDC31HJ-220X	C CAPACITOR		
	C7231	NCB31HK-103X	C CAPACITOR		
	C7241	NCS21HJ-200X	C CAPACITOR		
	C7242	NDC31HJ-220X	C CAPACITOR		
	C7251	QEK1AM-107Z	E.CAPACITOR	100MF 20% 10V	
	C7252	NCB31HK-103X	C CAPACITOR		
	D5301	MTZJ6.8C-T2	Z DIODE I/M	V.OUT	
	D5302	1SS133-T2	SI DIODE	L/O MUTE.D	
	D5303	1SS133-T2	SI DIODE	SEIDENKI	
	D5304	1SS133-T2	SI DIODE	SEIDENKI	
	D6001	1SS355-X	DIODE		
	D6031	MTZJ5.6C-T2	ZENER DIODE		
	D6032	1SR35-100A-T5	SI DIODE		
	D6033	1SR35-100A-T5	SI DIODE		
	D6061	1SS355-X	DIODE		
	D6062	1SS355-X	DIODE		
	D6063	1SS355-X	DIODE		
	D7001	1SS355-X	DIODE		
	D7002	1SS355-X	DIODE		
	D7003	1SS133-T2	SI DIODE		
	D7004	1SS133-T2	SI DIODE		
	D7005	1SS133-T2	SI DIODE		
	D7006	1SS355-X	DIODE		
	D7007	MTZJ5.1C-T2	ZENER DIODE		
	D7008	1SS133-T2	SI DIODE		
	D7009	MTZJ8.2B-T2	DIODE		
	D7201	1SS133-T2	SI DIODE		
	IC501	BD3861FS-X	IC	FUNC/VOL	
	IC601	AN8806SB-W	IC		
	IC602	LA6541-X	IC		
	IC603	MN35510	IC		
	IC701	UPD780024AGKB20	IC(MASK)	MASK-MICON	
	IC702	KIA78S06P-T	IC		
	IC711	UPD780053GC-031	IC	CD-MICOM	
	J5301	QNS0047-001	JACK	LINE IN	
	J5302	QNS0047-001	JACK	LINE OUT	
	J5303	QNN0017-002	PIN JACK	VIDEOOUT	
	J6001	GP1FA550TZ	OPT TRANSMITTER	OPT OUT	
	K5301	QQR0779-001Z	INDUCTOR	CDAG	
	K5303	QQR0779-001Z	INDUCTOR	V.GND	
	K5304	QQR0779-001Z	INDUCTOR	V.OUT	
	K6051	QQR0779-001Z	INDUCTOR		
	K6201	NQR0155-005X	INDUCTOR I.M		
	K6202	NQR0155-005X	INDUCTOR I.M		
	K6203	NQR0155-005X	INDUCTOR I.M		
	K7001	QQR0779-001Z	INDUCTOR		
	K7201	QQR0779-001Z	INDUCTOR		
	LF501	QQR0797-002	INDUCTOR	V.OUT	
	LF511	QQR0590-001	FILTER	MPX.F	
	LF521	QQR0590-001	FILTER	MPX.F	
	L7001	QQL01BK-100Z	INDUCTOR		
	L7002	QQL01BK-100Z	INDUCTOR		
	L7201	QQL01BK-100Z	INDUCTOR		
	Q5101	2SD2114K/VW/-X	CHIP TR.C.M	L/O MUTE	
	Q5201	2SD2114K/VW/-X	CHIP TR.C.M	L/O MUTE	
	Q5301	DTA114EKA-X	DIGITAL.TRANSIS	L/O MUTE.D	
	Q6001	2SA1037AK/R/-X	TRANSISTOR		
	Q6031	2SC2060/QR/-T	TRANSISTOR		
	Q6500	DTD123TK-X	CHIP D.TR.C.M		
	Q7001	2SC2814/4-5/-X	TRANSISTOR		
	Q7002	2SC2814/4-5/-X	TRANSISTOR		

△	Item	Parts number	Parts name	Remarks	Area
	Q7003	DTA114TKA-X	DIGITAL.TR		
	Q7004	2SC2412K/R/-X	TRANSISTOR		
	Q7006	2SC2412K/R/-X	TRANSISTOR		
	Q7007	DTC114EKA-X	TR		
	Q7008	DTA114EKA-X	DIGITAL.TRANSIS		
	Q7201	DTC114EKA-X	TR		
	Q7202	DTA114EKA-X	DIGITAL.TRANSIS		
	R5101	NRSA63J-223X	MG RESISTOR	LINE IN	
	R5102	NRSA63J-683X	MG RESISTOR	LINE IN	
	R5103	NRSA63J-392X	MG RESISTOR	CD IN	
	R5105	NRSA63J-473X	MG RESISTOR	LINE OUT	
	R5106	NRSA63J-392X	MG RESISTOR	LINE OUT	
	R5107	NRSA63J-102X	MG RESISTOR	LINE OUT	
	R5108	NRSA63J-222X	MG RESISTOR	L/O MUTE	
	R5110	NRSA63J-332X	MG RESISTOR	BASS	
	R5111	NRSA63J-122X	MG RESISTOR	MPX.F	
	R5112	NRSA63J-562X	MG RESISTOR	MPX.F	
	R5201	NRSA63J-223X	MG RESISTOR	LINE IN	
	R5202	NRSA63J-683X	MG RESISTOR	LINE IN	
	R5203	NRSA63J-392X	MG RESISTOR	CD IN	
	R5205	NRSA63J-473X	MG RESISTOR	LINE OUT	
	R5206	NRSA63J-392X	MG RESISTOR	LINE OUT	
	R5207	NRSA63J-102X	MG RESISTOR	LINE OUT	
	R5208	NRSA63J-222X	MG RESISTOR	L/O MUTE	
	R5210	NRSA63J-332X	MG RESISTOR	BASS	
	R5211	NRSA63J-122X	MG RESISTOR	MPX.F	
	R5212	NRSA63J-562X	MG RESISTOR	MPX.F	
	R5301	NRSA63J-223X	MG RESISTOR	L/O MUTE D	
	R5302	NRSA63J-104X	MG RESISTOR	V.OUT	
	R5305	NRSA63J-1R5X	MG RESISTOR	VCC	
	R6001	NRSA63J-123X	MG RESISTOR		
	R6002	NRSA63J-225X	MG RESISTOR		
	R6003	NRSA63J-102X	MG RESISTOR		
	R6005	NRSA63J-274X	MG RESISTOR		
	R6006	NRSA63J-473X	MG RESISTOR		
	R6007	NRSA63J-273X	MG RESISTOR		
	R6008	NRSA63J-564X	MG RESISTOR		
	R6009	NRSA63J-563X	MG RESISTOR		
	R6010	NRSA63J-104X	MG RESISTOR		
	R6012	NRSA63J-103X	MG RESISTOR		
	R6013	NRSA63J-121X	MG RESISTOR		
	R6014	NRSA63J-100X	MG RESISTOR		
	R6015	NRSA63J-120X	MG RESISTOR		
	R6016	NRSA63J-910X	MG RESISTOR		
	R6021	NRSA63J-270X	MG RESISTOR		
	R6024	NRSA63J-154X	MG RESISTOR		
	R6025	NRSA63J-154X	MG RESISTOR		
	R6026	NRSA63J-393X	MG RESISTOR		
	R6027	NRSA63J-393X	MG RESISTOR		
	R6028	NRSA63J-393X	MG RESISTOR		
	R6029	NRSA63J-393X	MG RESISTOR		
	R6031	NRSA63J-102X	MG RESISTOR		
	R6032	NRSA63J-102X	MG RESISTOR		
	R6033	NRSA63J-102X	MG RESISTOR		
	R6040	NRSA63J-102X	MG RESISTOR		
	R6041	NRSA63J-104X	MG RESISTOR		
	R6042	NRSA63J-472X	MG RESISTOR		
	R6043	NRSA63J-123X	MG RESISTOR		
	R6044	NRSA63J-683X	MG RESISTOR		
	R6045	NRSA63J-433X	MG RESISTOR		
	R6046	NRSA63J-392X	MG RESISTOR		
	R6047	NRSA63J-332X	MG RESISTOR		
	R6048	NRSA63J-222X	MG RESISTOR		

■ Electrical parts list(CD board)

Block No. 02

△	Item	Parts number	Parts name	Remarks	Area
	R6049	NRSA63J-152X	MG RESISTOR		
	R6050	NRSA63J-332X	MG RESISTOR		
	R6051	NRSA63J-102X	MG RESISTOR		
	R6052	NRSA63J-102X	MG RESISTOR		
	R6053	NRSA63J-102X	MG RESISTOR		
	R6054	NRSA63J-102X	MG RESISTOR		
	R6056	NRSA63J-0R0X	MG RESISTOR		
	R6057	NRSA63J-0R0X	MG RESISTOR		
	R6058	NRSA63J-0R0X	MG RESISTOR		
	R6059	NRSA63J-471X	MG RESISTOR		
	R6060	NRSA63J-471X	MG RESISTOR		
	R6061	NRSA63J-104X	MG RESISTOR		
	R6063	NRSA63J-124X	MG RESISTOR		
	R6064	NRSA63J-681X	MG RESISTOR		
	R6066	NRSA63J-470X	MG RESISTOR		
	R6067	NRSA63J-220X	MG RESISTOR		
	R6068	NRSA63J-220X	MG RESISTOR		
	R6069	NRSA63J-155X	MG RESISTOR		
	R6071	NRSA63J-102X	MG RESISTOR		
	R6072	NRSA63J-102X	MG RESISTOR		
	R6080	NRSA63J-0R0X	MG RESISTOR		
	R6081	NRSA63J-0R0X	MG RESISTOR		
	R6141	NRSA63J-0R0X	MG RESISTOR		
	R6201	NRSA63J-102X	MG RESISTOR		
	R6202	NRSA63J-102X	MG RESISTOR		
	R6203	NRSA63J-221X	MG RESISTOR		
	R6204	NRSA63J-102X	MG RESISTOR		
	R6205	NRSA63J-0R0X	MG RESISTOR		
	R6206	NRSA63J-271X	MG RESISTOR		
	R6207	NRSA63J-271X	MG RESISTOR		
	R6208	NRSA63J-0R0X	MG RESISTOR		
	R6209	NRSA63J-0R0X	MG RESISTOR		
	R6210	NRSA63J-0R0X	MG RESISTOR		
	R6211	NRSA63J-221X	MG RESISTOR		
	R6212	NRSA63J-102X	MG RESISTOR		
	R6213	NRSA63J-101X	MG RESISTOR		
	R6214	NRSA63J-101X	MG RESISTOR		
	R6215	NRSA63J-101X	MG RESISTOR		
	R6220	NRSA63J-0R0X	MG RESISTOR		
	R6500	NRSA63J-272X	MG RESISTOR		
	R7001	NRSA63J-822X	MG RESISTOR		
	R7002	NRSA63J-822X	MG RESISTOR		
	R7003	NRSA63J-103X	MG RESISTOR		
	R7004	NRSA63J-103X	MG RESISTOR		
	R7005	NRSA63J-331X	MG RESISTOR		
	R7038	NRSA63J-103X	MG RESISTOR	VERSION	
	R7040	NRSA63J-102X	MG RESISTOR		
	R7041	NRSA63J-103X	MG RESISTOR		
	R7042	NRSA63J-103X	MG RESISTOR		
	R7043	NRSA63J-103X	MG RESISTOR		
	R7044	NRSA63J-103X	MG RESISTOR		
	R7045	NRSA63J-222X	MG RESISTOR		
	R7046	NRSA63J-222X	MG RESISTOR		
	R7048	NRSA63J-102X	MG RESISTOR		
	R7049	NRSA63J-102X	MG RESISTOR		
	R7050	NRSA63J-104X	MG RESISTOR		
	R7051	NRSA63J-473X	MG RESISTOR		
	R7052	NRSA63J-333X	MG RESISTOR		
	R7053	NRSA63J-222X	MG RESISTOR		
	R7074	NRSA63J-103X	MG RESISTOR		
	R7076	NRSA63J-153X	MG RESISTOR	THERM	
	R7077	NRSA63J-123X	MG RESISTOR	THERM	
	R7101	NRSA63J-102X	MG RESISTOR		

△	Item	Parts number	Parts name	Remarks	Area
	R7102	NRSA63J-222X	MG RESISTOR		
	R7103	NRSA63J-222X	MG RESISTOR		
	R7104	NRSA63J-102X	MG RESISTOR		
	R7105	NRSA63J-222X	MG RESISTOR		
	R7106	NRSA63J-222X	MG RESISTOR		
	R7107	NRSA63J-222X	MG RESISTOR		
	R7108	NRSA63J-222X	MG RESISTOR		
	R7109	NRSA63J-222X	MG RESISTOR		
	R7110	NRSA63J-222X	MG RESISTOR		
	R7111	NRSA63J-222X	MG RESISTOR		
	R7112	NRSA63J-222X	MG RESISTOR		
	R7113	NRSA63J-103X	MG RESISTOR		
	R7114	NRSA63J-0R0X	MG RESISTOR		
	R7115	NRSA63J-102X	MG RESISTOR		
	R7116	NRSA63J-222X	MG RESISTOR		
	R7117	NRSA63J-102X	MG RESISTOR		
	R7118	NRSA63J-222X	MG RESISTOR		
	R7119	NRSA63J-222X	MG RESISTOR		
	R7120	NRSA63J-102X	MG RESISTOR		
	R7121	NRSA63J-222X	MG RESISTOR		
	R7122	NRSA63J-222X	MG RESISTOR		
	R7123	NRSA63J-222X	MG RESISTOR		
	R7124	NRSA63J-222X	MG RESISTOR		
	R7125	NRSA63J-222X	MG RESISTOR		
	R7126	NRSA63J-103X	MG RESISTOR		
	R7127	NRSA63J-222X	MG RESISTOR		
	R7128	NRSA63J-103X	MG RESISTOR		
	R7129	NRSA63J-222X	MG RESISTOR		
	R7130	NRSA63J-103X	MG RESISTOR		
	R7131	NRSA63J-102X	MG RESISTOR		
	R7132	NRSA63J-103X	MG RESISTOR		
	R7133	NRSA63J-103X	MG RESISTOR		
	R7134	NRSA63J-222X	MG RESISTOR		
	R7135	NRSA63J-222X	MG RESISTOR		
	R7136	NRSA63J-102X	MG RESISTOR		
	R7137	NRSA63J-103X	MG RESISTOR		
	R7138	NRSA63J-103X	MG RESISTOR		
	R7139	NRSA63J-103X	MG RESISTOR		
	R7140	NRSA63J-103X	MG RESISTOR		
	R7141	NRSA63J-222X	MG RESISTOR		
	R7142	NRSA63J-222X	MG RESISTOR		
	R7143	NRSA63J-471X	MG RESISTOR		
	R7144	NRSA63J-222X	MG RESISTOR		
	R7145	NRSA63J-222X	MG RESISTOR		
	R7146	NRSA63J-222X	MG RESISTOR		
	R7147	NRSA63J-222X	MG RESISTOR		
	R7148	NRSA63J-102X	MG RESISTOR		
	R7149	NRSA63J-102X	MG RESISTOR		
	R7150	NRSA63J-102X	MG RESISTOR		
	R7151	NRSA63J-222X	MG RESISTOR		
	R7152	NRSA63J-222X	MG RESISTOR		
	R7201	NRSA63J-102X	MG RESISTOR		
	R7202	NRSA63J-102X	MG RESISTOR		
	R7203	NRSA63J-102X	MG RESISTOR		
	R7204	NRSA63J-222X	MG RESISTOR		
	R7205	NRSA63J-103X	MG RESISTOR		
	R7206	NRSA63J-102X	MG RESISTOR		
	R7207	NRSA63J-102X	MG RESISTOR		
	R7208	NRSA63J-102X	MG RESISTOR		
	R7209	NRSA63J-102X	MG RESISTOR		
	R7210	NRSA63J-102X	MG RESISTOR		
	R7211	NRSA63J-102X	MG RESISTOR		
	R7212	NRSA63J-223X	MG RESISTOR		

■ Electrical parts list (CD board)

Block No. 02

△	Item	Parts number	Parts name	Remarks	Area
	R7213	NRSA63J-102X	MG RESISTOR		
	R7214	NRSA63J-223X	MG RESISTOR		
	R7215	NRSA63J-102X	MG RESISTOR		
	R7216	NRSA63J-103X	MG RESISTOR		
	R7217	NRSA63J-102X	MG RESISTOR		
	R7218	NRSA63J-102X	MG RESISTOR		
	R7219	NRSA63J-102X	MG RESISTOR		
	R7220	NRSA63J-102X	MG RESISTOR		
	R7221	NRSA63J-102X	MG RESISTOR		
	R7222	NRSA63J-102X	MG RESISTOR		
	R7223	NRSA63J-102X	MG RESISTOR		
	R7224	NRSA63J-222X	MG RESISTOR		
	R7225	NRSA63J-222X	MG RESISTOR		
	R7251	NRSA63J-223X	MG RESISTOR		
	R7302	NRSA63J-0R0X	MG RESISTOR		
	R7310	NRSA63J-103X	MG RESISTOR		
	R7311	NRSA63J-103X	MG RESISTOR		
	R7312	NRSA63J-103X	MG RESISTOR		
	SP603	VYH7653-001	IC HOLDER	IC603 IC-HOLDER	
	SP701	VYH7653-002	IC HOLDER		
	SP711	VYH7653-001	IC HOLDER		
	S8021	QSW0851-001	DETECT SWITCH		
	S8022	QSW0851-001	DETECT SWITCH		
	TH701	QAD0015-103Z	THERMISTOR		
	TW701	QUB220-08HPDM	SIN TWIST WIRE		
	WR 1	QUB220-07HPDM	SIN TWIST WIRE	ANT GND - BOTTO	
	W3001	QJK002-061901	SIN CR C-B WIRE	POWER - MAIN	
	W3002	QJK019-040704	SIN CR C-B WIRE	SPK - POWER	
	W3901	QJK019-072002	SIN CR C-B WIRE	POWER - MAIN	
	W5001	QJK018-130503	SIN CR C-B WIRE	FUNCTION - MICO	
	W7002	QJK021-121700	SIN CR C-B WIRE	MICOM - VCD	
	W7003	QJK018-060901	SIN CR C-B WIRE	MICOM - VCD	
	W8001	QJK018-020502	SIN CR C-B WIRE	LCD BACKLIGHT -	
	W8002	QJK018-040504	SIN CR C-B WIRE	TOPKEY - FUNCTI	
	W8003	QJK018-021202	SIN CR C-B WIRE	TOPKEY - DOOR D	
	W8004	QJK018-030503	SIN CR C-B WIRE	DOOR DT1 - MICO	
	W8005	QJK018-020502	SIN CR C-B WIRE	DISC LED - MICO	
	X6051	QAX0413-001Z	CRYSTAL		
	X7001	QAX0401-001	CRYSTAL		
	X7002	QAX0410-001	CERA LOCK		
	X7201	QAX0410-001	CERA LOCK		

■ Electrical parts list (VCD board)

Block No. 03

△	Item	Parts number	Parts name	Remarks	Area
	C 101	NCF31EZ-104X	C CAPACITOR		
	C 102	NCF31EZ-104X	C CAPACITOR		
	C 103	NCF31EZ-104X	C CAPACITOR		
	C 105	NCF31EZ-104X	C CAPACITOR		
	C 106	NCF31EZ-104X	C CAPACITOR		
	C 107	NCF31EZ-104X	C CAPACITOR		
	C 110	NCF31EZ-104X	C CAPACITOR		
	C 111	NCF31EZ-104X	C CAPACITOR		
	C 112	NCF31EZ-104X	C CAPACITOR		
	C 113	NCF31EZ-104X	C CAPACITOR		
	C 115	NCF31EZ-104X	C CAPACITOR		
	C 116	NCF31EZ-104X	C CAPACITOR		
	C 122	NCS31HJ-150X	C CAPACITOR		
	C 123	NCF31EZ-104X	C CAPACITOR		
	C 124	NCF31EZ-104X	C CAPACITOR		
	C 125	NCF31EZ-104X	C CAPACITOR		
	C 127	NCF31EZ-104X	C CAPACITOR		
	C 128	NEA70JM-107X	E.CAPACITOR		
	C 131	NCF31EZ-104X	C CAPACITOR		
	C 133	NCF31EZ-104X	C CAPACITOR		
	C 134	NCF31EZ-104X	C CAPACITOR		
	C 135	NCF31EZ-104X	C CAPACITOR		
	C 136	NCB31HK-272X	C CAPACITOR		
	C 141	NCB31HK-472X	C CAPACITOR		
	C 143	NCB31HK-182X	C CAPACITOR		
	C 144	NCB31HK-182X	C CAPACITOR		
	C 151	NCF31EZ-104X	C CAPACITOR		
	C 152	NEA70JM-226X	E CAPACITOR		
	C 153	NCF31EZ-104X	C CAPACITOR		
	C 154	NEA70JM-107X	E.CAPACITOR		
	C 155	NCF31EZ-104X	C CAPACITOR		
	C 156	NEA70JM-226X	E CAPACITOR		
	C 157	NEA70JM-226X	E CAPACITOR		
	C 158	NCF31EZ-104X	C CAPACITOR		
	C 159	NCB31HK-102X	C CAPACITOR		
	C 162	NCS31HJ-101X	C.CAPACITOR		
	C 168	NCS31HJ-471X	C CAPACITOR		
	C 170	NCS31HJ-471X	C CAPACITOR		
	C 181	NCF31EZ-104X	C CAPACITOR		
	C 191	NCS31HJ-101X	C.CAPACITOR		
	C 198	NCF31EZ-104X	C CAPACITOR		
	CN101	QGF1016F2-15W	CONNECTOR C.M		
	CN102	QGA2001F2-12X	CONNECTOR C.M		
	CN103	QGA2001F2-06X	CONNECTOR C.M		
	D 141	UDZ4.7B-X	ZENER DIODE		
	D 142	1SS355-X	DIODE		
	IC101	CL480-F1	IC		
	IC102	MX23C10M12-586X	IC C.M		
	IC103	V53C16258HK40-X	IC C.M.		
	IC104	BU1424K	IC		
	IC105	BU2173F-X	IC		
	IC106	UPD6461GS-635-X	IC		
	IC107	PQ20VZ11-X	IC		
	IC108	TC7SH04FU-X	IC C.M		
	IC111	MN171601AK8J2	IC		
	IC112	A625308M-70S-X	IC C.M		
	IC113	HD74HCT244FP-XE	IC C.M		
	IC114	HD74HCT245FP-XE	IC		
	K 101	NQR0227-004X	FERRITE BEADS		
	K 103	NQR0227-004X	FERRITE BEADS		
	L 102	NQL012K-2R7X	INDUCTOR		
	Q 101	DTA114EKA-X	DIGITAL.TRANSIS		
	Q 141	2SC2412K/RS/-X	CHIP TRANSISTOR		

△	Item	Parts number	Parts name	Remarks	Area
	R 102	NRSA63J-473X	MG RESISTOR		
	R 103	NRSA63J-103X	MG RESISTOR		
	R 104	NRSA63J-105X	MG RESISTOR		
	R 107	NRSA63J-122X	MG RESISTOR		
	R 109	NRSA63J-750X	MG RESISTOR		
	R 111	NRSA63J-182X	MG RESISTOR		
	R 112	NRSA63J-112X	MG RESISTOR		
	R 113	NRSA63J-102X	MG RESISTOR		
	R 115	NRSA63J-0R0X	MG RESISTOR		
	R 118	NRSA63J-392X	MG RESISTOR		
	R 119	NRSA63J-392X	MG RESISTOR		
	R 121	NRSA63J-102X	MG RESISTOR		
	R 122	NRSA63J-102X	MG RESISTOR		
	R 123	NRSA63J-102X	MG RESISTOR		
	R 124	NRSA63J-102X	MG RESISTOR		
	R 125	NRSA63J-102X	MG RESISTOR		
	R 128	NRSA63J-103X	MG RESISTOR		
	R 129	NRSA63J-103X	MG RESISTOR		
	R 135	NRSA63J-121X	MG RESISTOR		
	R 141	NRSA63J-750X	MG RESISTOR		
	R 142	NRSA63J-562X	MG RESISTOR		
	R 147	NRSA63J-471X	MG RESISTOR		
	R 148	NRSA63J-152X	MG RESISTOR		
	R 149	NRSA63J-152X	MG RESISTOR		
	R 150	NRSA63J-0R0X	MG RESISTOR		
	R 155	NRSA63J-271X	MG RESISTOR		
	R 156	NRSA63J-391X	MG RESISTOR		
	R 157	NRSA63J-0R0X	MG RESISTOR		
	R 191	NRSA63J-820X	MG RESISTOR		
	R 192	NRSA63J-820X	MG RESISTOR		
	R 193	NRSA63J-820X	MG RESISTOR		
	R 194	NRSA63J-0R0X	MG RESISTOR		
	R 196	NRSA63J-221X	MG RESISTOR		
	R 197	NRSA63J-0R0X	MG RESISTOR		
	R 198	NRSA63J-181X	MG RESISTOR		
	TC101	NAT3111-200X	TRIM.CAPA.I.M		
	X 101	NAX0150-001X	CRYSTAL		

Packing materials and accessories parts list

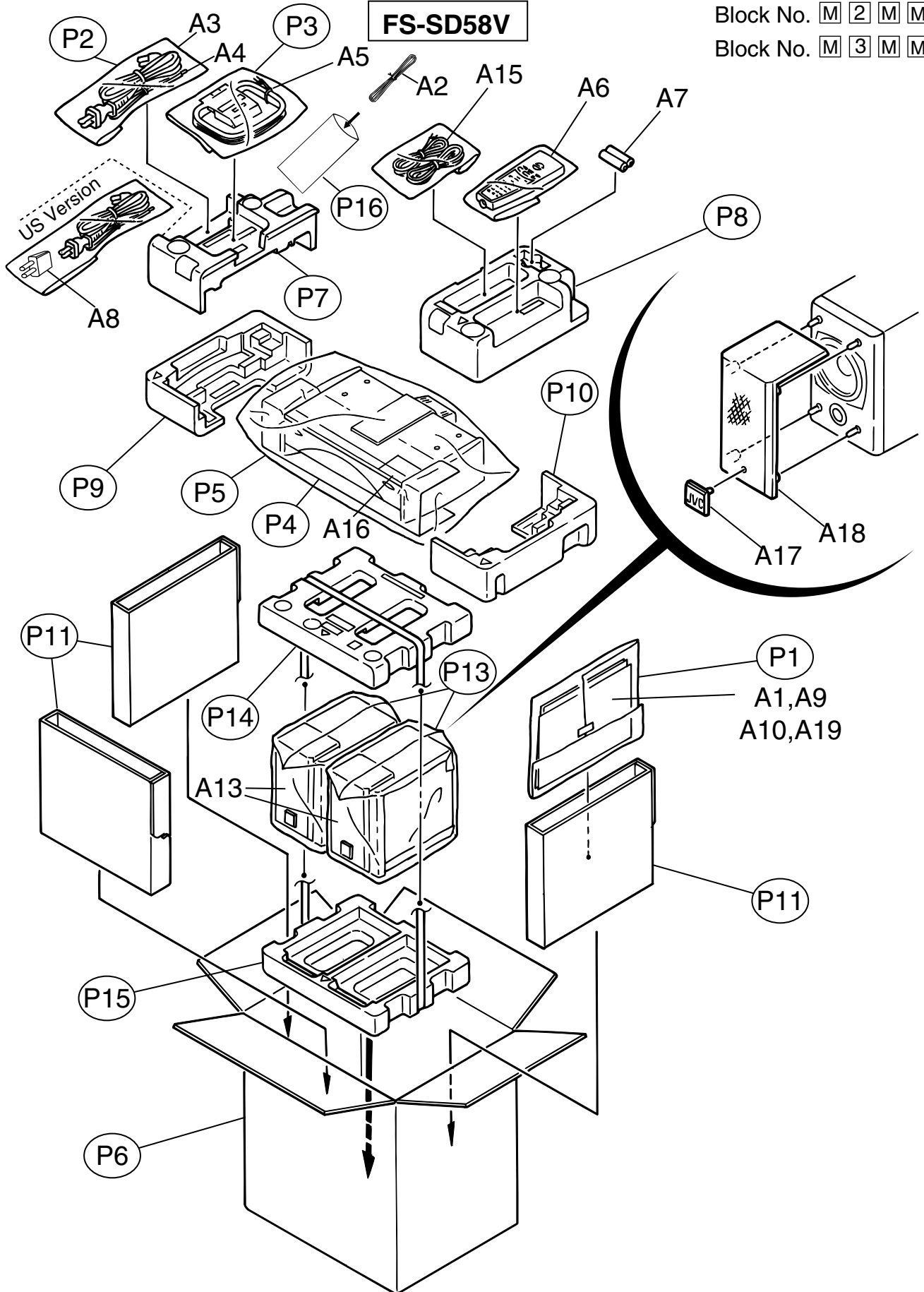
FS-SD58V

Block No.

M	2	M	M
---	---	---	---

Block No.

M	3	M	M
---	---	---	---



Packing materials and accessories parts list

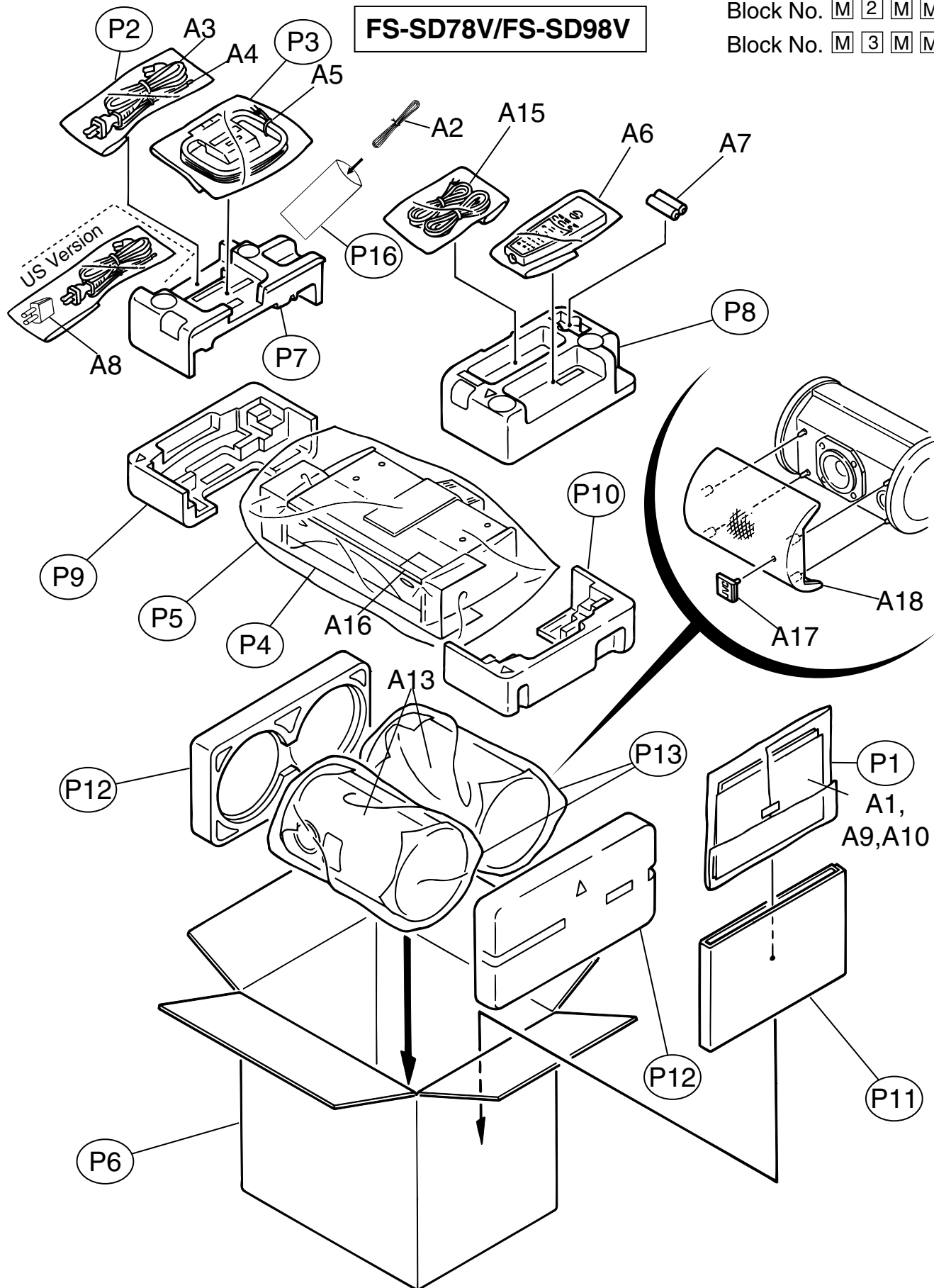
FS-SD78V/FS-SD98V

Block No.

M	2	M	M
---	---	---	---

Block No.

M	3	M	M
---	---	---	---



■ Parts list (Packing)

Block No. M2MM

△	Item	Parts number	Parts name	Q'ty	Description	Area
	P 1	QPA02503503P	POLY BAG	1	FOR INST	
	P 2	QPA01503503	POLY BAG	1	FOR P.CORD	
	P 3	QPA01702503P	POLY BAG	1	FOR AM ANT.	
	P 4	QPF26044015	PACKING SHEET	1		
	P 5	QPC04504515P	POLY BAG	1		
	P 6	LV32008-009A	PACKING CASE	1	FS-SD78V	US
		LV32008-010A	PACKING CASE	1	FS-SD78V	UF
		LV31707-006A	PACKING CASE	1	FS-SD58V	UF
		LV32008-011A	PACKING CASE	1	FS-SD98V	US
		LV31707-005A	PACKING CASE	1	FS-SD58V	UB,US
		LV32008-012A	PACKING CASE	1	FS-SD98V	UF
	P 7	LV20760-001A	CUSHION TOP(L)	1	TOP (L)	
	P 8	LV20760-002A	CUSHION TOP(R)	1		
	P 9	LV20761-001A	CUSHION BTM (L)	1	BOTTOM (L)	
	P 10	LV20761-002A	CUSHION BTM (R)	1		
	P 11	LV32009-002A	CARTON SPACER	1	FS-SD78V/98V	
		LV31789-002A	CARTON SPACER	3	FS-SD58V	
	P 12	SD7KF0001	PACKING CUSHION	2	FS-SD78V/98V	
	P 13	SD7KO0001	POLY PACK	2	FS-SD78V/98V	
		SD5KO0001	POLY PACK	2	FS-SD58V	
	P 14	SD5KF0101	CUSHION(TOP)	1	FS-SD58V	
	P 15	SD5KF0201	CUSHION(BOTTOM)	1	FS-SD58V	
	P 16	QPA01202505	POLY BAG	1	FOR SIGNAL CORD	

■ Parts list (Accessories)

Block No. M3MM

△	Item	Parts number	Parts name	Q'ty	Description	Area
	A 1	LVT0548-001A	INST.BOOK	1	ENG CHI	UB,US
		LVT0548-002A	INST BOOK	1	CHI	UF
	A 2	EWP304-014W	SIGNAL CORD	1	FOR VIDEO OUT	
△	A 3	QMPS020-183-JC	POWER CORD	1		UF
△		QMPP060-183-JD	POWER CORD	1		UB
△		QMPL080-183-JC	POWER CORD	1		US
	A 4	EWP503-001C	ANT.WIRE	1	FM ANT	
	A 5	QAL0014-001	AM LOOP ANT	1	AM ANT	
	A 6	RM-SFSSD78V	REMOCON UNIT	1	FS-SD58V	
		RM-SFSSD98V	REMOCON UNIT	1	FS-SD78V/98V	
	A 7	-----	BATTERY	2	FOR REMOCON	
△	A 8	QAM0112-001	AC PLUG ADAPTER	1		US
	A 9	BT-59007-2	WARRANTY CARD	1		UF
	A 10	BT-59009-1	SVC CENTER LIST	1		UF
	A 13	FSSD78V-SPBOX	SPEAKER BOX	2	FS-SD78V	
		FSSD98V-SPBOX	SPEAKER BOX	2	FS-SD98V	
		FSSD58V-SPBOX	SPEAKER BOX	2	FS-SD58V	
	A 15	QAM0293-001	SPK.CORD(2PCS)	1	SPEAKER CORD OF	
	A 16	LV41819-002A	CD CAUTION	1		UF
		LV41819-001A	CD CAUTION	1		UB,US
	A 17	SD7SJ0001	JVC MARK	1	FS-SD98V	
		SD5SJ0101	JVC MARK	1	FS-SD58V78V	
	A 18	D9VBK0001	SARAN BOARD	1	FS-SD98V	
		D7VBK0001	SARAN BOARD	1	FS-SD78V	
		D5VBK0001	SARAN BOARD	1	FS-SD58V	
	A 19	LV30258-074A	UB SHEET	1	FS-SD58V	UB